

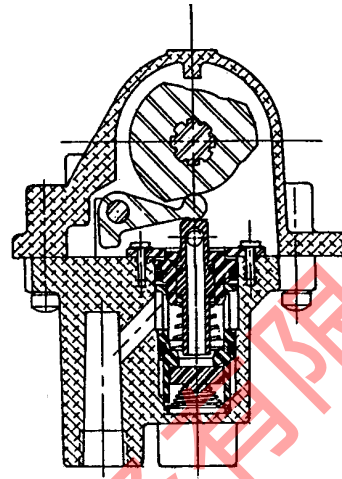
“A” Pilotair® Pneumatic Directional Control Valves
Panel-Mounted Valves, Three-Way Operation

OPERATION

In release position, as shown, the valve disc seats on the inlet valve seat and seals the passage from the inlet to the outlet port. The outlet port is vented to atmosphere through the center of the plunger.

As the plunger is forced downward by the cam force it seats on the valve disc. This seals the passage between the outlet port and atmosphere.

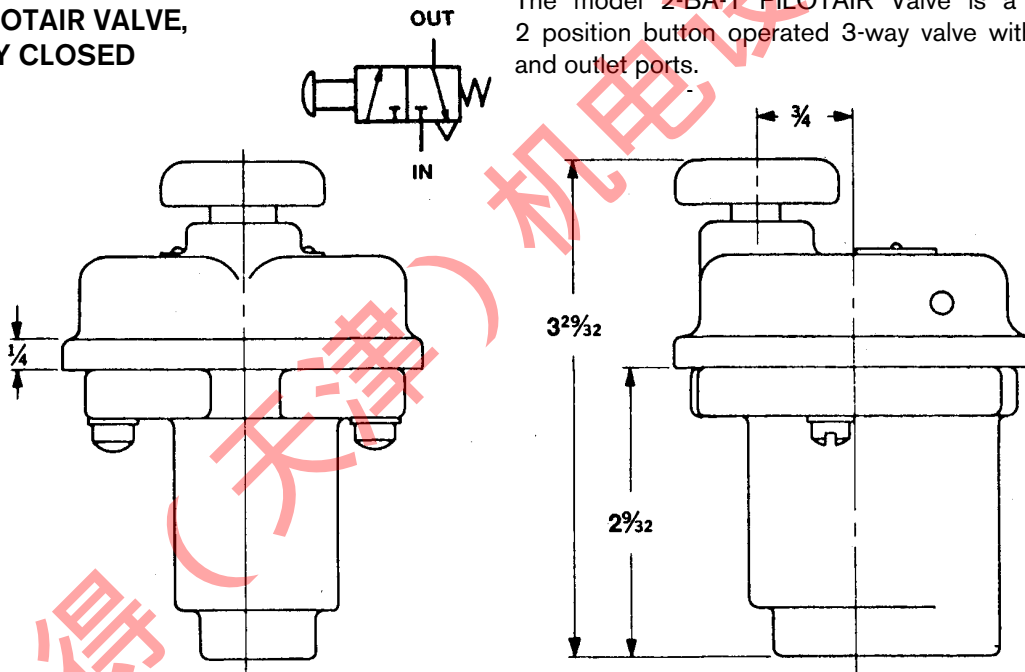
Further downward travel of the plunger unseats the valve disc from the inlet valve seat and allows inlet air pressure to flow to the outlet port.



THREE-WAY OPERATION - SINGLE UNIT VALVES

2-BA-1 PILOTAIR VALVE,
NORMALLY CLOSED

The model 2-BA-1 PILOTAIR Valve is a panel mounted, 2 position button operated 3-way valve with 1/4" NPT inlet and outlet ports.



ORDERING REFERENCE

2-BA-1 PILOTAIR Valve - Part Number R431003427
 (Old P/N P-054692-00002)

With chrome plated cover - Part No. R431003429
 (Old P/N P-054692-00004)

With special black coated cover - Pt. No. R431003430
 (Old P/N P-054692-00006)

BUTTON POSITION	PORT SUPPLIED
UP	
DOWN	X

